

Tender specification:

The Oventrop thermostatic mixing valve “Brawa-Mix” without dead zone mixes hot and cold water according to an infinitely adjustable water temperature. The thermostatic mixing valve is used for the control of the hot water distribution temperature in hot water supply systems. It is installed in the hot water outlet of water heaters. In heating systems, the thermostatic mixing valve is used as temperature controller for surface heating systems or as return temperature limiter. To prevent scalding, the hot water supply is automatically closed if the cold water supply fails within the control range (fail-safe function).

Body, stem and bonnet made of bronze according to DIN EN 1982 and DIN 50930-6, with highly sensitive thermostatic sensor in the mixing channel, including fail-safe function within the control range, infinitely adjustable setting of the mixed water temperature with the help of the handwheel, temperature setting may be locked and lead sealed, high-quality control piston resistant to calcification and corrosion.

Technical data:

Application:	Potable water and heating systems
Max. operating temperature:	90 °C
Max. operating pressure:	10 bar (PN10)
Control range:	35 °C-65 °C
Min. temperature difference:	10 °C between hot water inlet temperature and mixed water outlet temperature
Max. ambient temperature:	30 °C
Max. pressure difference:	2.5 bar
Installation position:	any, easily accessible
Flow rate:	DN 20: $k_v = 2.3$ DN 25: $k_v = 4.5$ DN 32: $k_v = 4.8$ ($T_{mix} = 50\text{ °C}$, $P_{stat} = 3\text{ bar}$)
Material:	Bronze, stainless steel, EPDM, POM, PPE

Models:

DN	Model	Item no.:
DN 20	G 1 x G 1 x G 1	1300306
DN 25	G 1¼ x G 1¼ x G 1¼	1300308
DN 32	G 1½ x G 1½ x G 1½	1300310

Installation advice:

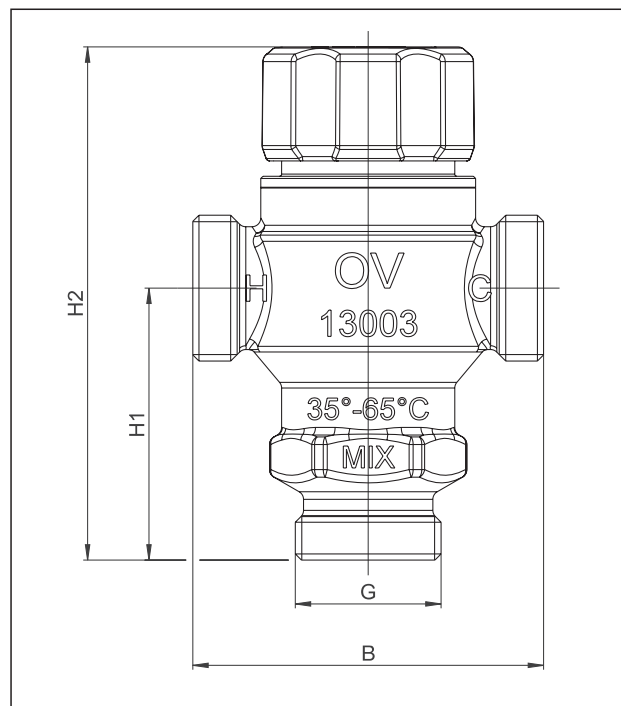
When used in a circulation system, non-return valves for cold water (item no. 1302006) are to be used to avoid volume flows against the direction of flow.

Strainers (item no. 1120006 or 1121006) for installation in the hot and cold water inlet of the mixing valve are also recommended to avoid malfunctions caused by impurities.

The bronze inline thermometer (item no. 1300952) which can be connected to the mixed water outlet serves the control of the mixed water temperature.



“Brawa-Mix”



DN	G	B	H1	H2
20	1	80	62	117
25	1¼	114	62	124
32	1½	114	62	124

Dimensions

Accessories:

Inline thermometer
bronze

For the direct connection to the mixed water outlet of the mixing valve, thermometer replaceable during operation without draining the system.

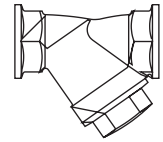
Display range 20 °C - 80 °C



Models:		Item no.
DN 20	G 1 x G 1	1300952
DN 25	G 1¼ x G 1¼	1300953
DN 32	G 1¼ x G 1½	1300954

Strainer

Bronze / brass / stainless steel wire basket
For installation in the hot and cold water inlet to avoid malfunctions caused by impurities



Mesh size 600 µm		Item no.
DN 20	Rp ¾ x Rp ¾	1120006
DN 25	Rp 1 x Rp 1	1120008
DN 32	Rp 1¼ x Rp 1¼	1120010

Mesh size 250 µm		Item no.
DN 20	Rp ¾ x Rp ¾	1121006
DN 25	Rp 1 x Rp 1	1121008
DN 32	Rp 1¼ x Rp 1¼	1121010

Non-return valve for cold water bronze
bronze

To avoid volume flows against the direction of flow caused by gravity circulation or pressure differences.

Inner parts made of plastic resistant to calcification or stainless steel



Models:		Item no.
DN 20	Rp ¾ x Rp ¾	1302006
DN 25	Rp 1 x Rp 1	1302008
DN 32	Rp 1¼ x Rp 1¼	1302010

Insulation shells

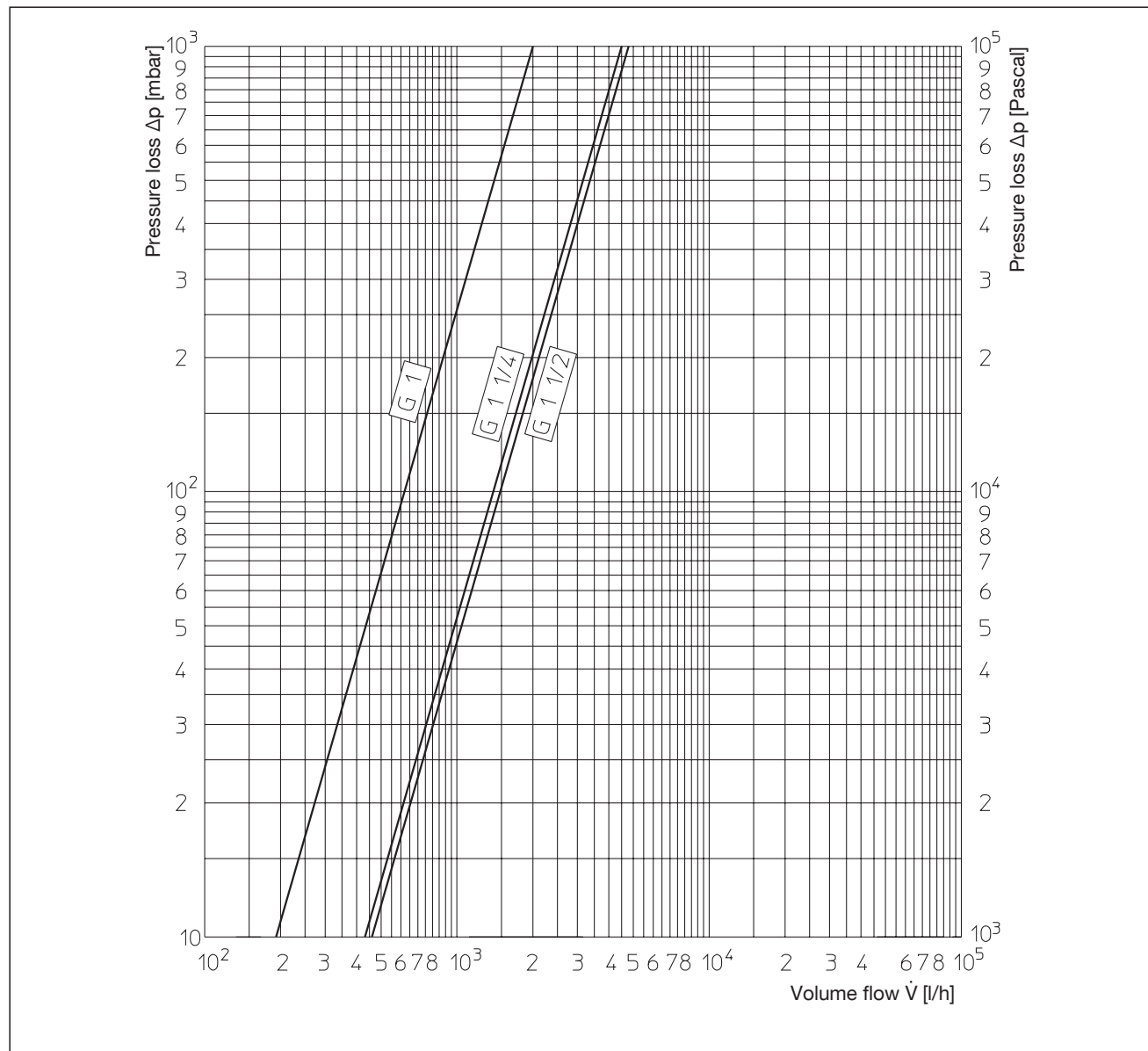
Expanded polypropylene according to the German Energy Saving Directive, building material class B2 according to DIN 4102



Models:	Item no.
DN 20	1300385
DN 25 / DN 32	1300386

Lead sealing set (10-fold)
Lead seal / Locking wire

Item no.
1089091



Flow chart

Tender specification:

The Oventrop thermostatic mixing valve “Brawa-Mix” without dead zone mixes hot and cold water according to an infinitely adjustable water temperature. The thermostatic mixing valve is used for the control of the hot water distribution temperature in hot water supply systems. It is installed in the hot water outlet of water heaters. In heating systems, the thermostatic mixing valve is used as temperature controller for surface heating systems or as return temperature limiter. To prevent scalding, the hot water supply is automatically closed if the cold water supply fails within the control range (fail-safe function).

Body made of bronze according to DIN EN 1982 and DIN 50930-6, with highly sensitive thermostatic sensor in the mixing channel, including fail-safe function within the control range, infinitely adjustable setting of the mixed water temperature with the help of the handwheel, temperature setting may be locked, high-quality control piston resistant to calcification and corrosion.

Technical data:

Application: Potable water and heating systems

Max. operating temperature: 90 °C

Max. operating pressure: 10 bar (PN10)

Control range: 35 °C-50 °C

Min. temperature difference: 10 °C between hot water inlet temperature and mixed water outlet temperature

Max. ambient temperature: 30 °C

Max. pressure difference: 5 bar

Installation position: any, easily accessible

Flow rate: $k_v = 1.4$
($T_{mix} = 50\text{ °C}$, $P_{stat} = 3\text{ bar}$)

Materials: Bronze, dezincification resistant brass (DZR), EPDM, stainless steel, PTFE, PPE

Models:

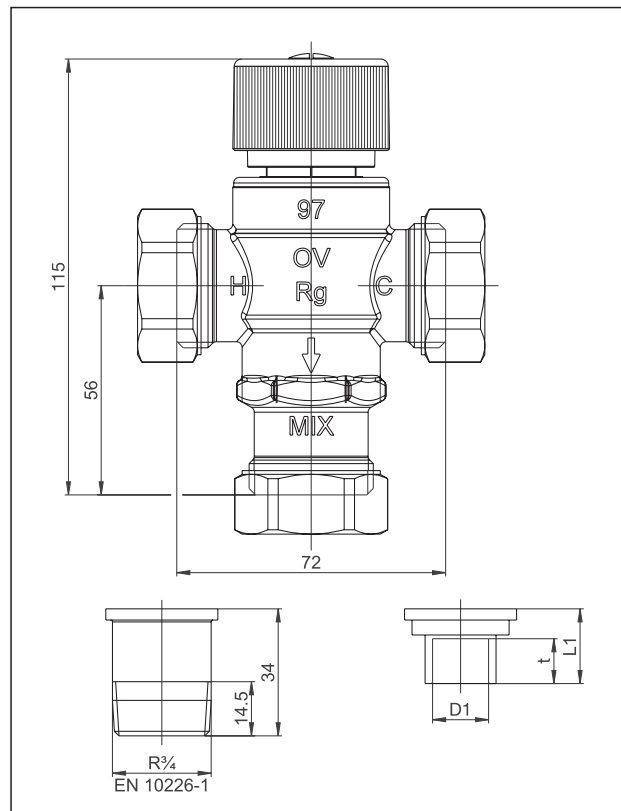
DN 20	G 1 x G 1 x G 1	Item no.:
	(with 3 collar nuts made of brass)	1300351
DN 20	G 1 x G 1 x G 1	Item no.:
	(without collar nuts, for compression fittings)	1300352

Installation advice:

When used in a circulation system, non-return valves for cold water (item no. 1302006) are to be used to avoid volume flows against the direction of flow. Strainers (item no. 1120006 or 1121006) for installation in the hot and cold water inlet of the mixing valve are also recommended to avoid malfunctions caused by impurities. The bronze inline thermometer (item no. 1300952) which can be connected to the mixed water outlet serves the control of the mixed water temperature.



“Brawa-Mix”



D ₁	L ₁	t
15	20	12
18	23	15
22	24	17

Dimensions

Accessories:

Inline thermometer
bronze

For the direct connection to the mixed water outlet of the mixing valve, thermometer replaceable during operation without draining the system.

Display range 20 °C - 80 °C

Model: Item no.
DN 20 G 1 x G 1 1300952

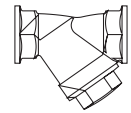


Strainer

Bronze / brass / stainless steel wire basket
For installation in the hot and cold water inlet to avoid malfunctions caused by impurities

Mesh size 600 µm Item no.
DN 20 Rp 3/4 x Rp 3/4 1120006

Mesh size 250 µm Item no.
DN 20 Rp 3/4 x Rp 3/4 1121006



Non-return valve for cold water bronze
bronze

To avoid volume flows against the direction of flow caused by gravity circulation or pressure differences.

Inner parts made of plastic resistant to calcification or stainless steel

Model: Item no.
DN 20 Rp 3/4 x Rp 3/4 1302006



Connection fittings

Set 1 = 3 tailpipes (with male thread Rp 3/4) Item no. 1300391

Set 2 = 3 solder tailpipes 15 mm 1300392

Set 3 = 3 solder tailpipes 18 mm 1300393

Set 4 = 3 solder tailpipes 22 mm 1300394

Compression fittings

Ø 15 mm Item no. 1300381

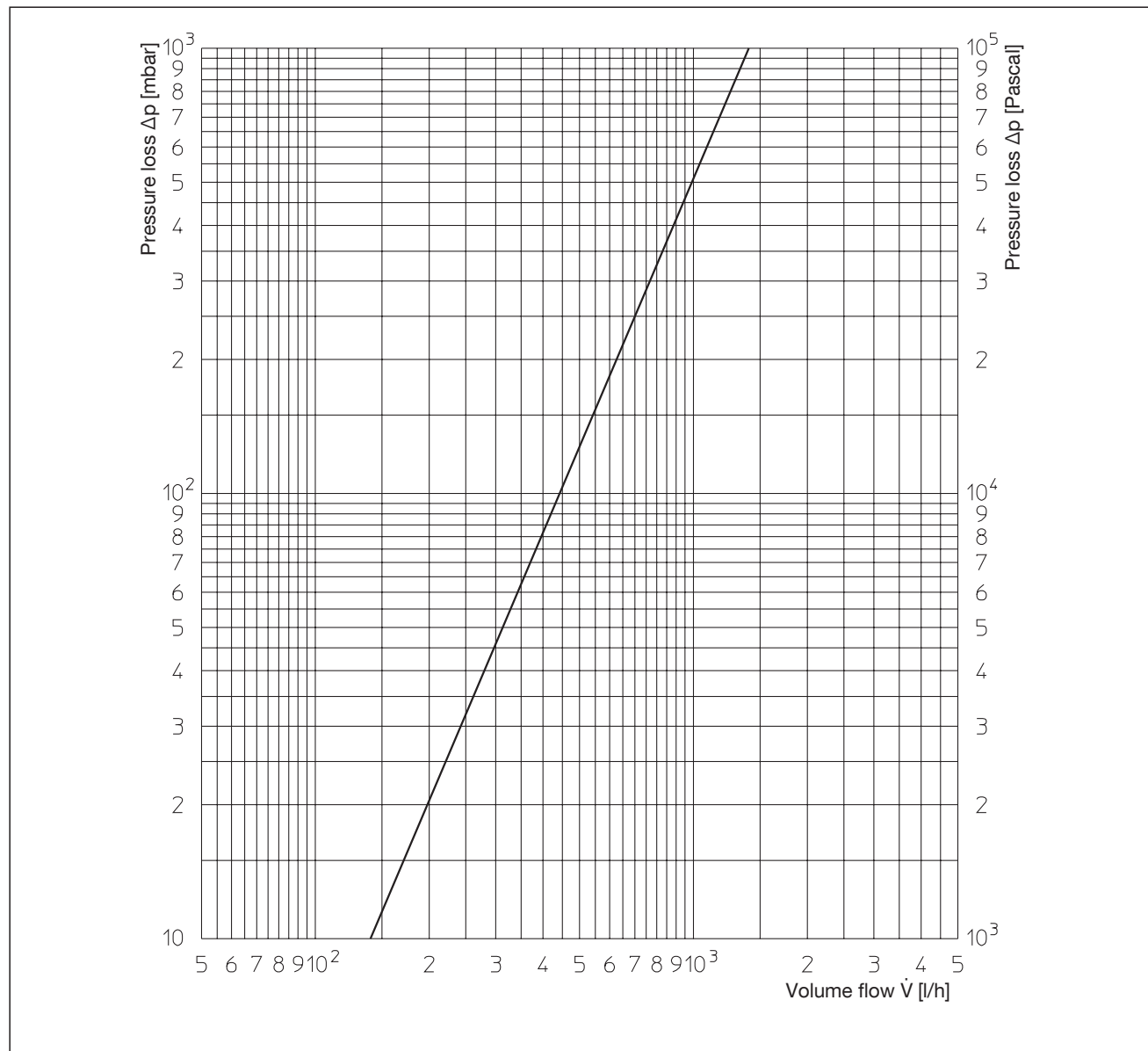
Ø 18 mm 1300382

Ø 22 mm 1300383

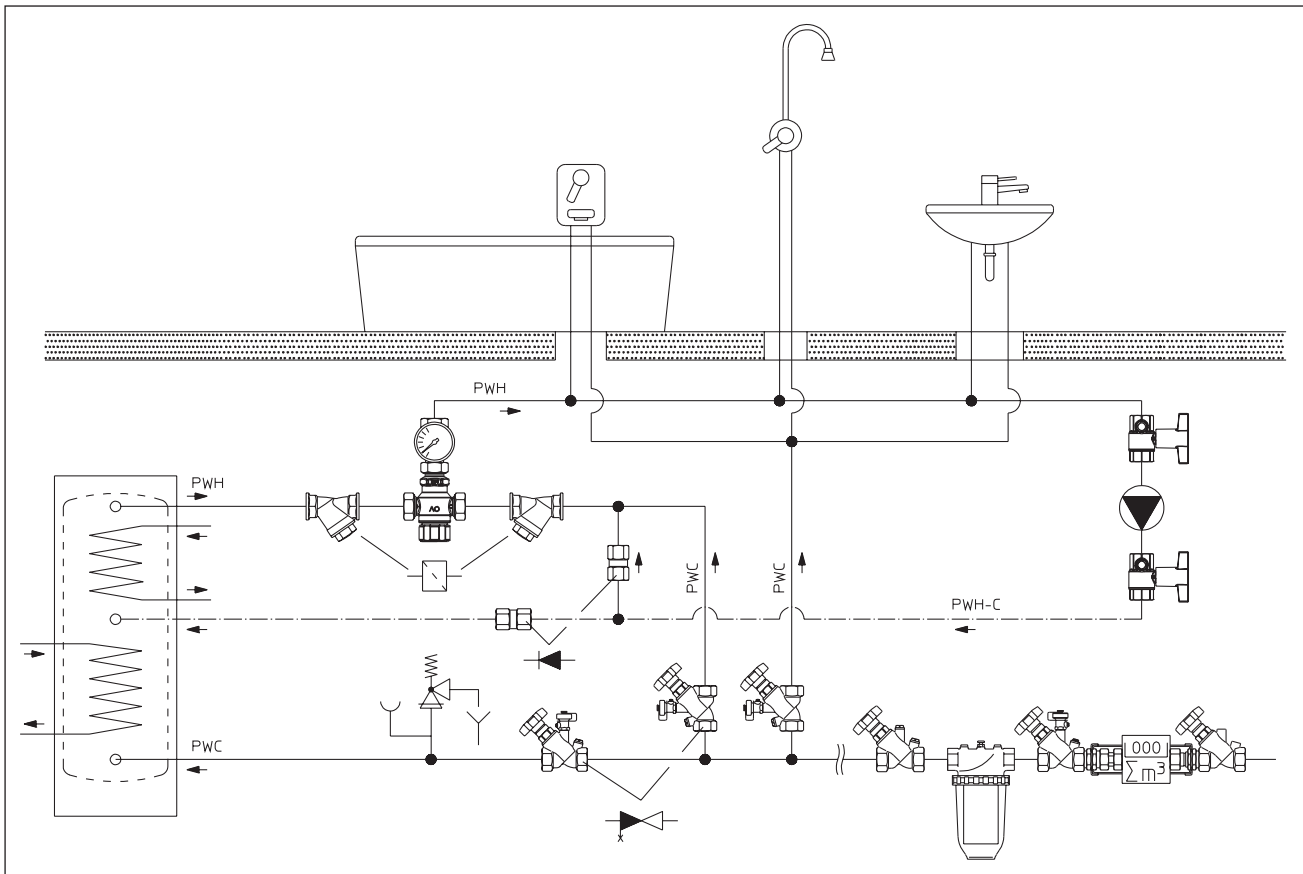


Lead sealing set (10-fold)
Lead seal / Locking wire

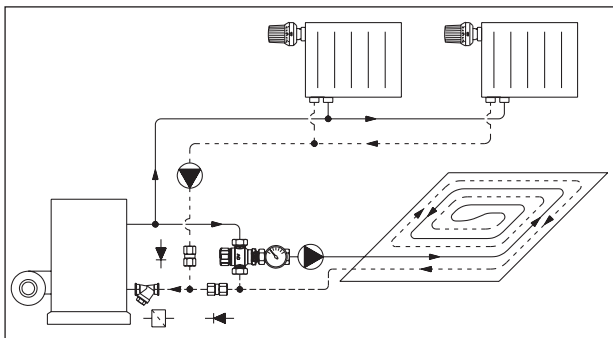
Item no.
1089091



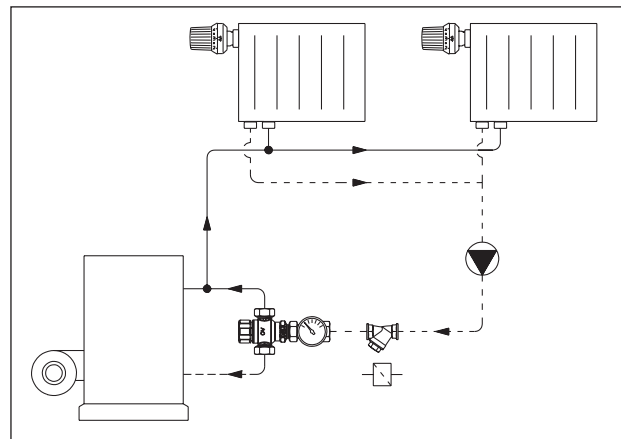
Flow chart



Installation example for potable water systems



Installation example as temperature limiter for surface heating systems



Installation example as return temperature limiter

Subject to technical modifications without notice.

Product range 8
ti 11-EN/10/MW
Edition 2017