

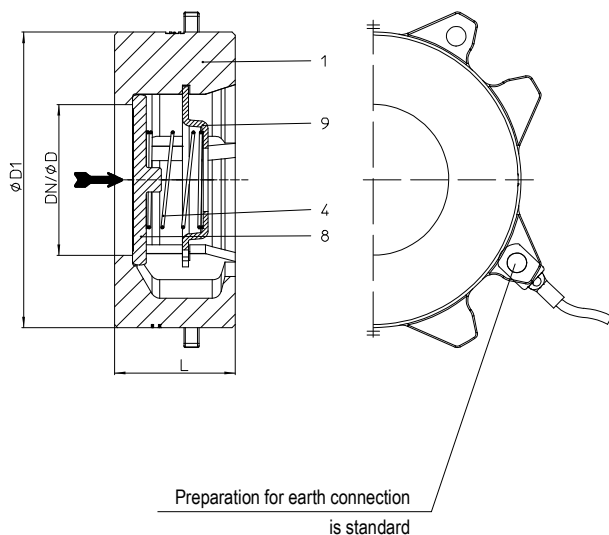
Disc check valve in clamping version (Stainless steel)


Figure	Nominal pressure	Material	Nominal diameter
55.001	PN40	1.4408	DN15-100
	DN125-350 on request.		

Set pressure 0,02 barg.
The operating point of the valve cannot be chosen in the unstable region!
Shut off class valve plate

standard:	<ul style="list-style-type: none"> metallic sealing Leakage rate BN2/BO3 acc. to DIN 3230-3 (Leakage rate D acc. to DIN EN 12266-1 fulfilled)
optional:	<ul style="list-style-type: none"> EPDM-soft sealing (max. 120°C) Leakage rate A acc. to DIN EN 12266-1 NBR-soft sealing (max. 80°C) Leakage rate A acc. to DIN EN 12266-1 FPM (Viton)-soft sealing (max. 150°C) Leakage rate A acc. to DIN EN 12266-1 (not for hot water useable)

Parts			
Pos.	Sp.p.	Description	Fig. 55.001
1		Body	GX5CrNiMo19-11-2, 1.4408
4		Spring	X10CrNi18-8, 1.4310
8	x	Valve plate	X6CrNiMoTi17-12-2, 1.4571
9		Spring plate	X6CrNiMoTi17-12-2, 1.4571
L Spare parts			

DN	15	20	25	32	40	50	65	80	100
----	----	----	----	----	----	----	----	----	-----

Face-to-face dimension FTF series 49 acc. to DIN EN 558										
L	(mm)	16	19	22	28	31,5	40	46	50	60

Dimensions										
$\varnothing D$ (acc. to DIN EN 14341)	(mm)	13	19	25	31	38	50	63	76	100
$\varnothing D1$	(mm)	45	55	65	75	85	98	118	134	154
Kvs-value	(m ³ /h)	4,4	7,1	12	19,5	25	46	69	87	122
Zeta-value	--	4,18	5	4,33	4,4	6,54	4,72	6	8,64	10,73
Zeta-value ... range of tolerance for Kvs-values acc. to VDI/VDE 2173										

Weights										
55.001	(kg)	0,16	0,28	0,43	0,68	0,94	1,36	2,0	2,8	3,7

Information / restriction of technical rules need to be observed!

 Operating and installation instructions can be downloaded at www.ari-armaturen.com.

A production permission acc. to TRB 801 No. 45 is available.

The engineer, designing a system or a plant, is responsible for the selection of the correct valve.

Resistance and fitness must be verified (contact manufacturer for information, refer to Product overview and Resistance list).